

On track plant contact with overhead line equipment

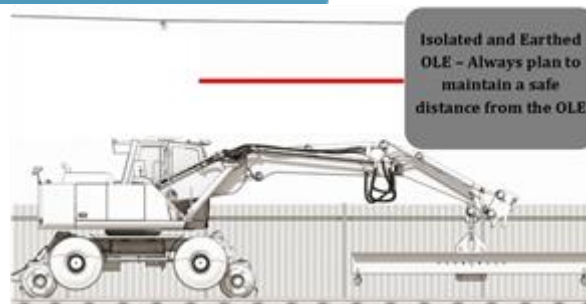
Issued to: **All Network Rail line managers, safety professionals and RISQS registered contractors**

Ref: NRLN19-10

Date of issue: 16/06/2019

Location: National

Contact: Ian Morgan, Principal Engineer, STE



Overview

In the first period of CP6 there were ten reported events of On Track Plant (OTP) contacting isolated and earthed Overhead Line Equipment (OLE).

Even when OLE is isolated and earthed, contact by OTP has the potential to cause serious damage and physical danger to people on site if broken components fall. Damage may not be immediately visible, but the potential for failure once energised is greatly increased, impacting service performance later. All instances of contact with OLE must be reported correctly.

Reducing the risk of OLE contact can be achieved by using the right plant with approved height limiters properly set and tested.

When an incident involving OTP contacting earthed and isolated OLE occurs, a Safety Related Event (SRE) report shall be completed. Refer to NR/L2/ELP/27307 – Management of M&EE safety related event reports.

When an incident involving OTP contacting energised OLE occurs, this is RIDDOR-reportable.

Key message

- For all OTP activities, undertake a detailed site visit to gather relevant details of site-specific hazards, such as OLE locations and measurements.
- When planning the use of OTP, follow the requirements set out in NR/L2/RMVP/0200 – Infrastructure Plant Manual.
- Module P501 – Systems of Work. Section 12.2 – Planning says "where isolations are obtained, all works involving OTP shall be planned to maintain a safe distance from the OLE."
- Determine if planned works could require OTP to operate close to OLE components, such as loading or unloading high sided wagons or lifting large overhead structures.
- Contact the local Electrification & Plant Maintenance Engineer (EPME) or Designated Project Engineer (DPE) for details of heights and stagger data.
- Confirm any plant limitations of use on the Engineering Conformance Certificate (ECC).